

BLLBT Series

Suspended Decorative Retail Fixture
Instruction Manual



BJ Take Inc.



Figure 1

Note: Figure 1 shows 8' fixture.

ITEMS REQUIRED

- Robertson screwdriver
- Pliers
- Hammer
- Safety glasses
- Ladder
- PPE

IMPORTANT SAFETY INSTRUCTIONS

When using electrical equipment, basic safety precautions should always be followed including the following:

- Read and follow all safety instructions.
- **DANGER** – Risk of Shock – Disconnect power before installation.
- **Product must be installed in accordance with CEC or your local electrical code.** If not familiar with these codes and requirements, consult a qualified electrician.
- Always turn off the main power supply before installation and maintenance.
- Sharp edges may cut. Handle with care.
- Save these instructions for future reference.

INSTALLATION INSTRUCTIONS:

1. Turn off the main power supply. Carefully remove the fixture from the box.
2. If necessary, open the access panel part shown in Figure 2 with a Robertson screw-

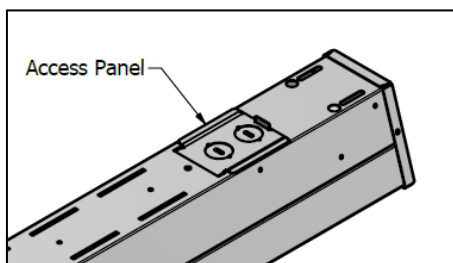


Figure 2

driver for power supply wiring. After unscrewing completely, push the part forward. Then, pull out the backend of the part from the fixture and remove it by pushing the part backwards and out of the fixture. Keep the screw in a safe place; it will be

required later. Alternatively, remove one knockout from access panel part for wiring. To remove a knockout simply push it into the fixture.

3. If required, remove appropriate knockout(s) for any additional power supply options.
4. Locate the disconnect inside the fixture through the opening. Carefully remove the half with no wires attached.
5. Attach the main luminaire body to the ceiling using suspension slots represented by symbol B in Figure 3. These holes can also be used for suspension mounting. Symbols C & D in Figure 3 show the holes where row or surface mounting brackets are attached (see below for instructions).

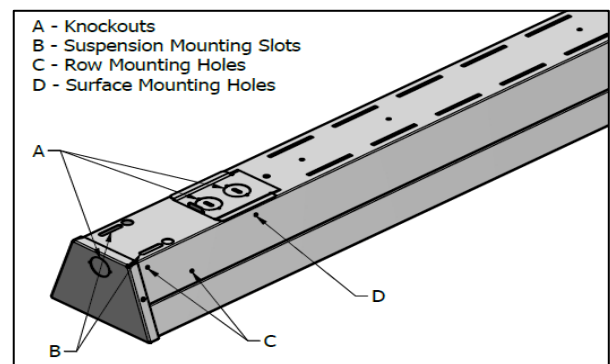


Figure 3

6. Prepare the supply wires.
 - A. Wiring must comply with all applicable electrical codes.
 - B. Strip wires to appropriate lengths (Recommended: 11-13mm jackets). The intended wire size for the connections is following:
 - 2xAWG 18-12 **Solid wire** per port
 - 2xAWG 16-12<19 **Stranded wire** per port.
 - C. Grip Line or Black power supply wire firmly and push the wire into the port marked with letter "B" or black circle on the connector as shown in Figure 5.
 - D. Grip Neutral or White power supply wire firmly and push the wire into the port marked with letter "W" or white circle on the connector as shown in Figure 5.
 - E. Connect green supply wire with green lead of the luminaire.
 - F. If the luminaire comes equipped with dimming options. Wire accordingly:
 - Grip the positive or violet supply wire and connect with the violet dimming positive lead of the luminaire.
 - Grip the negative or grey supply wire and connect with the grey dimming negative lead of the luminaire.

NOTE: If wiring a row mounted fixture, see row mounting section before proceeding to the next step. If a wire is connected incorrectly, it can be easily removed by firmly gripping the wire you want to remove and twisting the electrical disconnect.

- Neatly tuck in all the excess wire through the hole in access panel into the main channel housing. Reattach the access panel if it was removed in Step 3.

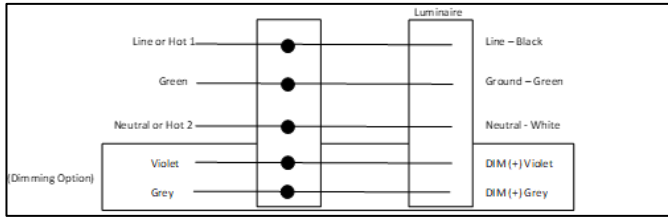


Figure 4

WARNING: Do not attach any type of lensing or light diffusing systems to BLLBT luminaires.

ROW MOUNTING:

- For connecting row mount fixtures, use the bracket shown in Figure 5.

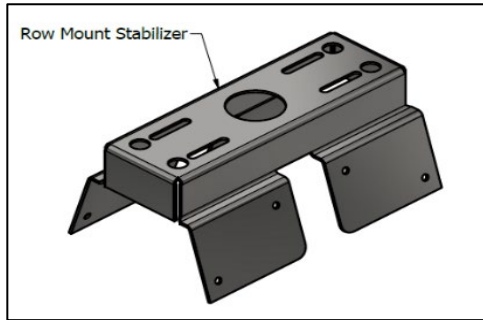


Figure 5

- Mount the stabilizer brackets into the ceiling at appropriate distances. Now carefully remove the mating row mount luminaires (with connectors coming out from the end) from the box. Position it as shown in Figure 6.

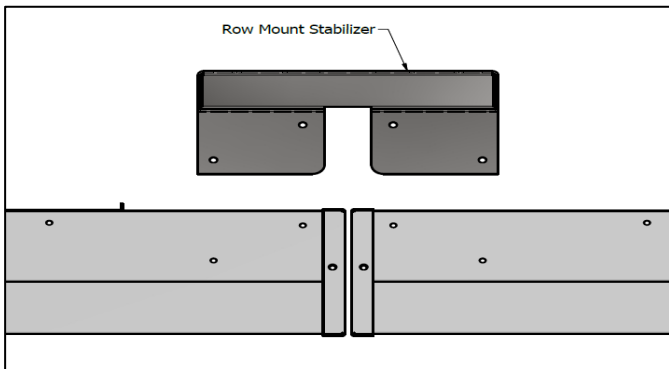


Figure 6

- Connect the mating plug and receptacle to form a secure connection. Push the connected assembly into one of the body channels of the luminaires.
- Align and securely mount both the fixtures onto the row mount bracket to form a continuous row mount assembly.
- Repeat steps 2 – 4 for installing more luminaires.
- Do not use or attach any type of third-party lens to BJ Take BLLBT fixtures.

SURFACE MOUNTING:

- For surface mounting, use the bracket shown in Figure 7.

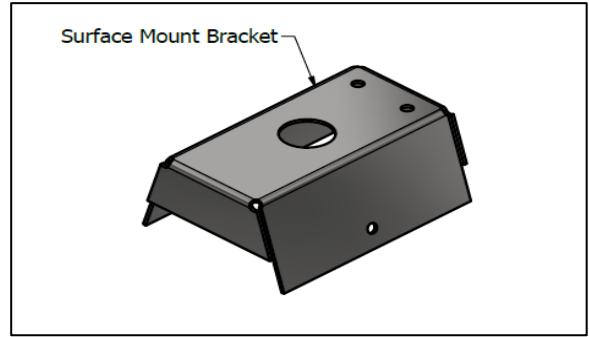


Figure 7

- Mount the surface mounting brackets into the ceiling at appropriate distances. Carefully remove the luminaires from the box and position it as shown in Figure BLANK.

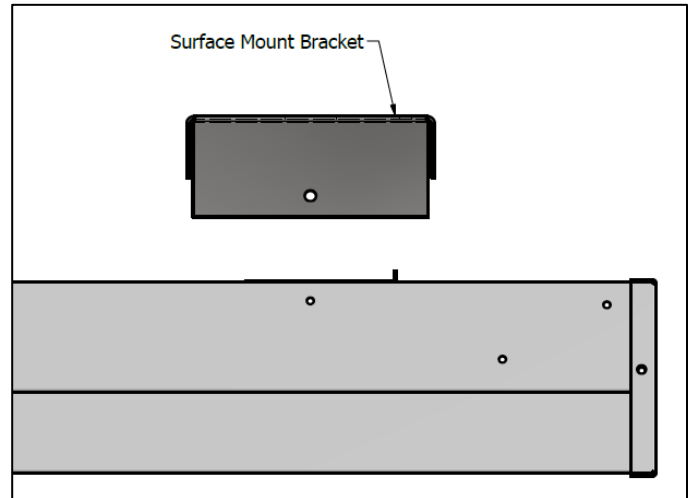


Figure 8

- Align the screw holes on the fixture with the corresponding holes on the surface mounting bracket. Proceed by tightening the provided screws until a rigid connection is made.
- If installing a combination of row and surface mounting, the row mounting bracket can double for surface mounting. Repeat steps 1 – 3 using the row mount stabilizer brackets provided, and the two provided surface mount brackets on each end of the row.

PENDANT MOUNTING:

1. Attach the $\frac{3}{4}$ " pendant mount assembly shown in Figure 9 to the $\frac{3}{4}$ " threaded pendant rod shown in Figure 10.

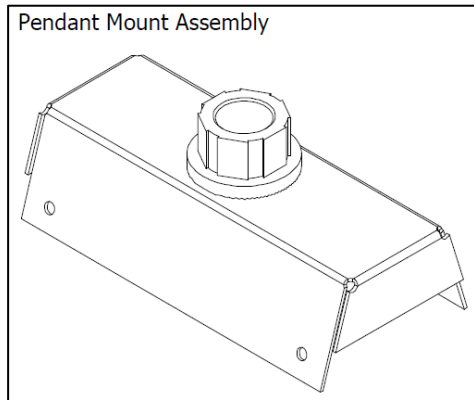


Figure 9

Note: The pendant mount rod and junction box cover are not supplied by BJ Take. We recommend using the Hubbell 894KH for the junction box cover.

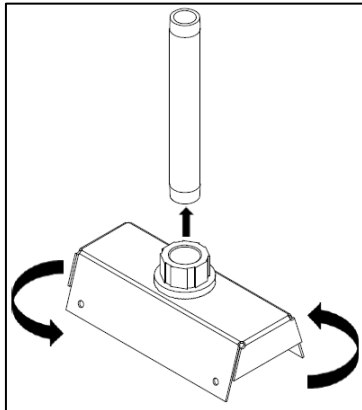


Figure 9

2. Make electrical connection with cable coming down from pendant mount rod. Ensure cable is slightly longer than the pendant mount rod to prevent cable strain once the light fixture is attached. See Figure 11.

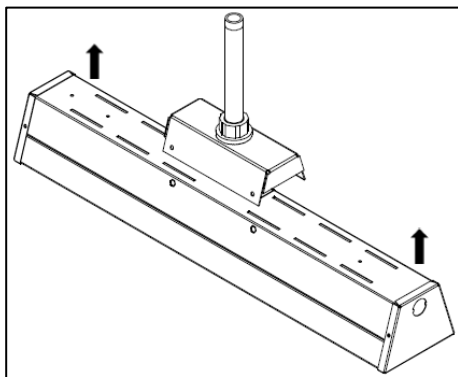


Figure 10

3. Attach the fixture to the pendant mount assembly by inserting the four screws provided into the four brass rivnuts as shown in Figure 12.

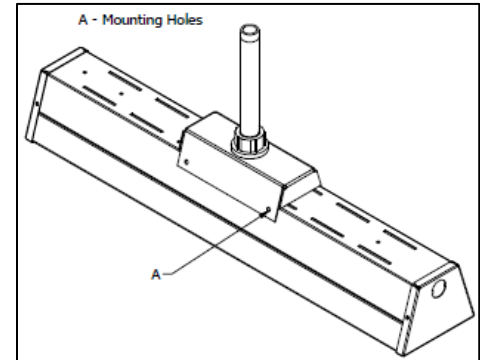


Figure 11

Note: 8' and 6' fixtures will require 2 pendant mounts, one on each end.